

SHADE STUDY CALCULATIONS

PROJECT: GREEN ACRES			
OVERALL SITE	QTY.	SQ. FT. AREA	
STANDARD STALLS	214	57,780	
COMPACT STALLS	29	7,308	
HANDICAP STALLS	8	2,016	
TOTAL PAVED PARKING AREA:		67,104	
TOTAL SHADE REQUIRED:	50%	33,552	
TOTAL SHADE PROVIDED:		37,729	
TOTAL SHADE PERCENTAGE		56.2%	

SYMBOL	PATTERN	QTY.	UNIT IN S.F.	TOTAL S.F.
30' TO 35' TREES				
	35-I	22	X 961	21,142
	35-P	27	X 481	12,987
	35-N	15	X 240	3,600
25' TO 30' TREES				
	30-I	0	X 707	0
	30-P	0	X 354	0
	30-N	0	X 177	0
20' TO 25' TREES				
	25-I	0	X 491	0
	25-P	0	X 246	0
	25-N	0	X 123	0
15' TO 20' TREES				
	20-I	0	X 314	0
	20-P	0	X 157	0
	20-N	0	X 79	0
10' TO 15' TREES				
	15-I	0	X 177	0
	15-P	0	X 88	0
	15-N	0	X 44	0
TOTAL				37,729

CONCEPTUAL TREE LEGEND

TREES	CODE	BOTANICAL NAME	COMMON NAME	SIZE	WATER USE
	ACE OGL	ACER RUBRUM 'OCTOBER GLORY'	OCTOBER GLORY RED MAPLE	24" BOX	MEDIUM
	ARB MUL	ARBUTUS X 'MARINA'	MARINA STRAWBERRY TREE MULTI-TRUNK	24" BOX	LOW
	CER RMN	CERCIS CANADENSIS 'THE RISING SUN'	EASTERN REDBUD MULTI-TRUNK	15 GAL.	LOW
	CER OKL	CERCIS CANADENSIS TEXENSIS 'OKLAHOMA'	MULTI-TRUNK OKLAHOMA TEXAS REDBUD	24" BOX	LOW
	CUP FRA	CUPRESSUS SEMPERVIRENS 'DWARF'	DWARF ITALIAN CYPRESS	24" BOX	LOW
	GIN AUT	GINKGO BILOBA 'AUTUMN GOLD' TM	AUTUMN GOLD MAIDENHAIR TREE	24" BOX	LOW
	LAG ECD	LAGERSTROEMIA INDICA 'DYNAMITE' MULTI-TRUNK	DYNAMITE CRAPE MYRTLE	24" BOX	LOW
	LAG RED	LAGERSTROEMIA INDICA X FAURIEI 'TUSCARORA'	TUSCARORA CRAPE MYRTLE MULTI-TRUNK	24" BOX	LOW
	LAU NOB	LAURUS NOBILIS	SWEET BAY	24" BOX	LOW
	MAG EDI	MAGNOLIA GRANDIFLORA 'EDITH BOGUE'	EDITH BOGUE SOUTHERN MAGNOLIA	24" BOX	MEDIUM
	PIS KEI	PISTACIA CHINENSIS 'KEITH DAVEY'	KEITH DAVEY CHINESE PISTACHE	24" BOX	MEDIUM
	ULM DRA	ULMUS PARVIFOLIA 'DRAKE'	DRAKE LACEBARK ELM	24" BOX	MEDIUM

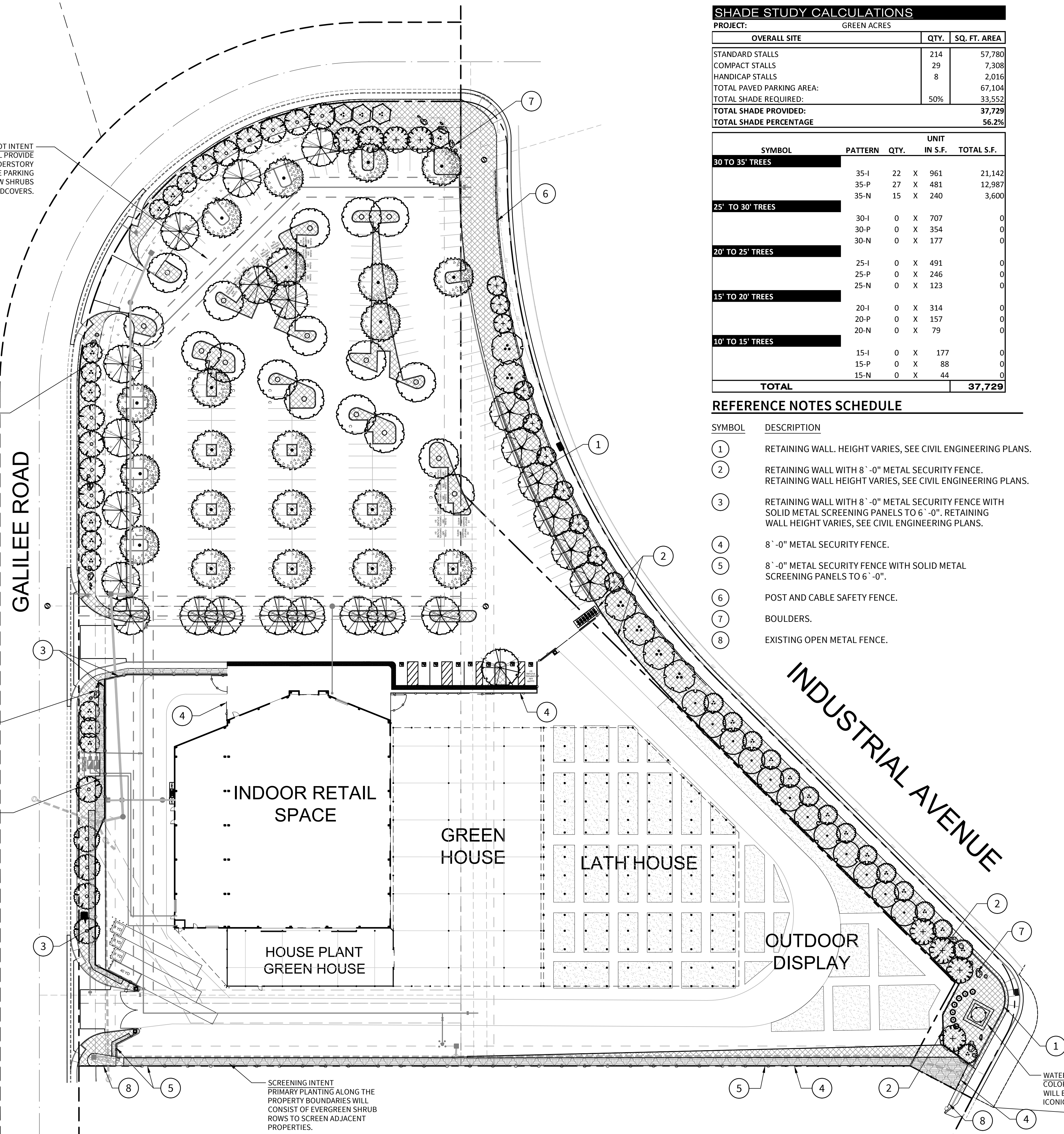
REFERENCE NOTES SCHEDULE

SYMBOL	DESCRIPTION
1	RETAINING WALL. HEIGHT VARIES, SEE CIVIL ENGINEERING PLANS.
2	RETAINING WALL WITH 8'-0" METAL SECURITY FENCE. RETAINING WALL HEIGHT VARIES, SEE CIVIL ENGINEERING PLANS.
3	RETAINING WALL WITH 8'-0" METAL SECURITY FENCE WITH SOLID METAL SCREENING PANELS TO 6'-0". RETAINING WALL HEIGHT VARIES, SEE CIVIL ENGINEERING PLANS.
4	8'-0" METAL SECURITY FENCE.
5	8'-0" METAL SECURITY FENCE WITH SOLID METAL SCREENING PANELS TO 6'-0".
6	POST AND CABLE SAFETY FENCE.
7	BOULDERS.
8	EXISTING OPEN METAL FENCE.

CONCEPTUAL SHRUB & GROUNDCOVER LEGEND

	SHRUBS ACACIA COGNATA 'COUSIN ITT' / RIVER WATTLE ARCTOSTAPHYLOS DENSIFLORA 'HOWARD MCMINN' / HOWARD MCMINN VINE HILL MANZANITA CALAMAGROSTIS X ACUTIFLORA 'KARL FOERSTER' / FEATHER REED GRASS CALLISTEMON VIMINALIS 'LITTLE JOHN' / DWARF WEeping BOTTLEBRUSH CEANOTHUS X 'CENTENNIAL' / CENTENNIAL WILD LILAC CHONDROPETALUM TECTORUM / CAPE RUSH CISTUS X HYBRIDUS 'MICKIE' / MICKIE ROCKROSE COTINUS COGGYGRIA 'GRACE' / GRACE SMOKE TREE DIETES BICOLOR / FORTNIGHT LILY JUNIPERUS SCOPULORUM 'SKYROCKET' / SKYROCKET JUNIPER LOMANDRA LONGIFOLIA PLATINUM BEAUTY / PLATINUM BEAUTY LOMANDRA LOMANDRA LONGIFOLIA 'BREEZE' / BREEZE MAT RUSH LOROPETALUM CHINENSE 'JAZZ HANDS BOLD' / CHINESE FRINGE FLOWER LOROPETALUM CHINENSE RUBRUM 'BENI HIME' TM / JAZZ HANDS MINI FRINGE FLOWER MUHLENBERGIA CAPILLARIS 'REGAL MIST' TM / REGAL MIST PINK MUHLY GRASS NANDINA DOMESTICA 'FIREPOWER' / FIREPOWER HEAVENLY BAMBOO RHAMNUS CALIFORNICA 'EVE CASE' / CALIFORNIA COFFEEBERRY RHAPHIOLEPIS UMBELLATA 'MINOR' / YEDDA HAWTHORN ROSA X 'SWEET SPOT CALYPSO' / CALYPSO CARPET ROSE ROSA X 'SWEET SPOT YELLOW' / SWEET SPOT YELLOW CARPET ROSE ROSMARINUS OFFICINALIS 'PROSTRATUS' / DWARF TRAILING ROSEMARY WESTRINGIA FRUTICOSA 'SMOKEY' / SMOKEY WESTRINGIA YUCCA FILAMENTOSA 'COLOR GUARD' / ADAM'S NEEDLE YUCCA GLORIOSA RECURVIFOLIA 'WALBRISTAR' / BRIGHT STAR YUCCA
	GROUNDCOVERS JUNIPERUS HORIZONTALIS 'BLUE CHIP' / BLUE CHIP JUNIPER NEPETA X FAASSENII 'WALKERS LOW' / WALKERS LOW CATMINT TEUCRIUM CHAMAEDRY'S 'PROSTRATUM' / PROSTRATE GERMANDER
	SCREENING SHRUBS ELAEAGNUS X EBBINGEI 'OLIVE MARTINI' / EBBING SILVERBERRY JUNIPERUS SCOPULORUM 'SKYROCKET' / SKYROCKET JUNIPER PRUNUS CAROLINIANA 'COMPACTA' / COMPACT CAROLINA LAUREL CHERRY
	BIOFILTRATION SOD TURF SOD BIOFILTRATION SOD / DELTA BLUEGRASS BIOFILTRATION SOD
	NO MOW SOD TURF SOD MOW FREE / FINE FESCUE BLEND

- ### GENERAL PLANTING NOTES
- ALL PLANTING AREAS SHALL BE IRRIGATED WITH AN AUTOMATIC IRRIGATION SYSTEM THAT WILL BE COMPLIANT WITH THE STATE'S WATER EFFICIENT LANDSCAPE ORDINANCE.
 - ALL SHRUB AND GROUNDCOVER AREAS SHALL RECEIVE A 3" LAYER OF BARK CHIP MULCH TOP DRESSING.
 - GROUND COVERS SHALL NOT BE INSTALLED WITHIN A 4' RADIUS OF A TREE TRUNK.



PARKING LOT INTENT THE PRIMARY TREES WILL PROVIDE A CANOPY OF SHADE. UNDERSTORY PLANTINGS WITHIN THE PARKING LOT WILL CONSIST OF LOW SHRUBS AND/OR GROUNDCOVERS.

STREETSCAPE INTENT AREAS FRONTING THE STREETS WILL INCORPORATE TREES ALONG WITH MIXED SPECIES AND FORMS OF SHRUBS FOR INTEREST, COLOR, AND BUFFERING FROM THE STREETS. SHRUB MASSES WILL UTILIZE DROUGHT TOLERANT SPECIES WHERE APPROPRIATE.

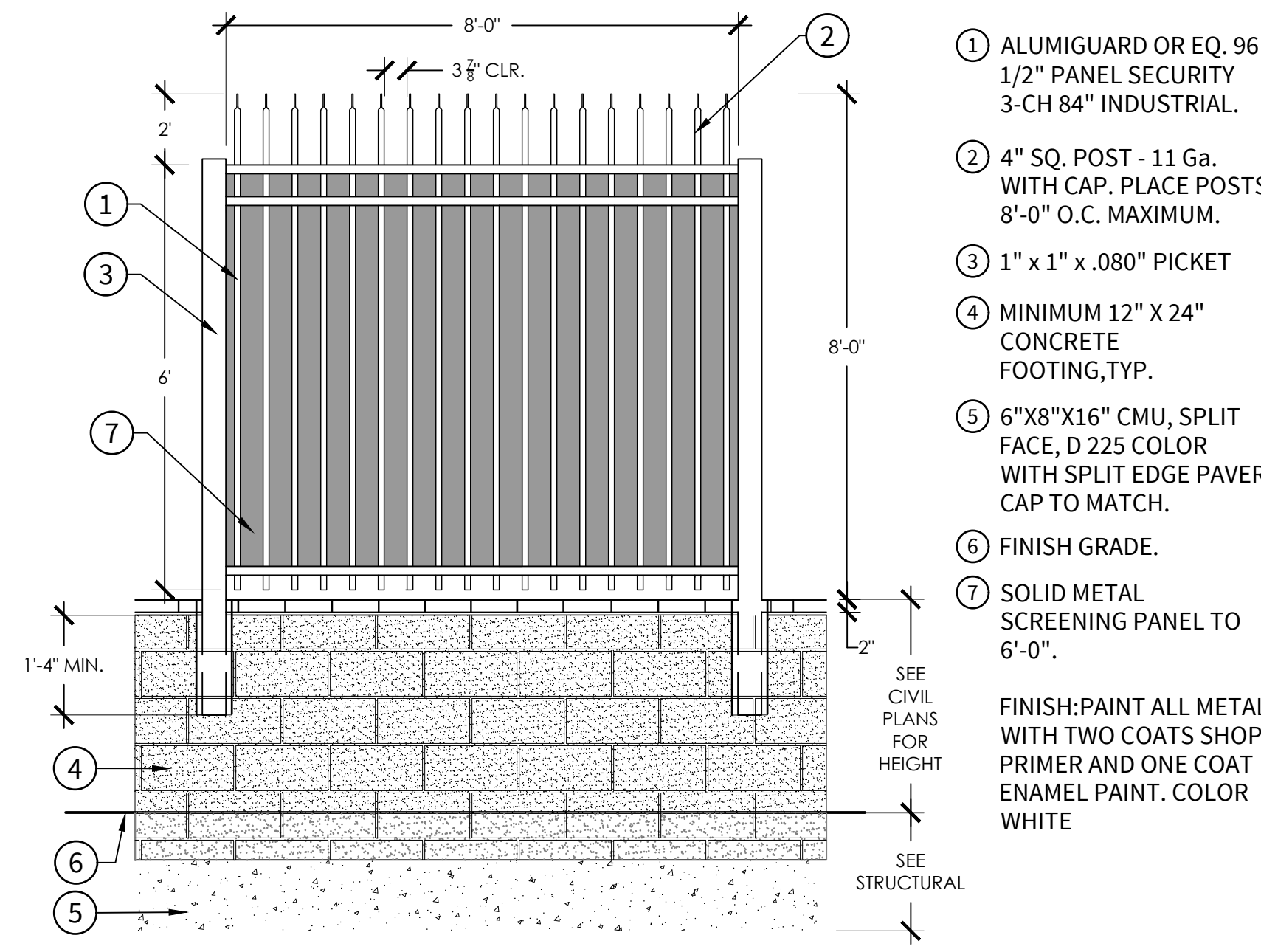
ENTRY TREATMENT INTENT PLANTING AT THE ENTRIES WILL BE HIGHLIGHTED AND DEFINED BY SEASONAL ACCENTED TREES & SHRUBS WITH THE USE OF COLORFUL PLANT MATERIAL. SHRUBS WILL BE LOW TO MAINTAIN SIGHT LINES.

SCREENING INTENT PLANTING ALONG THE FENCE AT GALILEE WILL CONSIST OF EVERGREEN SHRUBS AS AN ADDITIONAL SCREENING LAYER TO SOFTEN THE VIEW OF THE METAL FENCE.

SCREENING INTENT PRIMARY PLANTING ALONG THE PROPERTY BOUNDARIES WILL CONSIST OF EVERGREEN SHRUB ROWS TO SCREEN ADJACENT PROPERTIES.

WATER TOWER INTENT COLORFUL EVERGREEN SHRUBS WILL BE USED TO HIGHLIGHT THE ICONIC WATER TOWER.

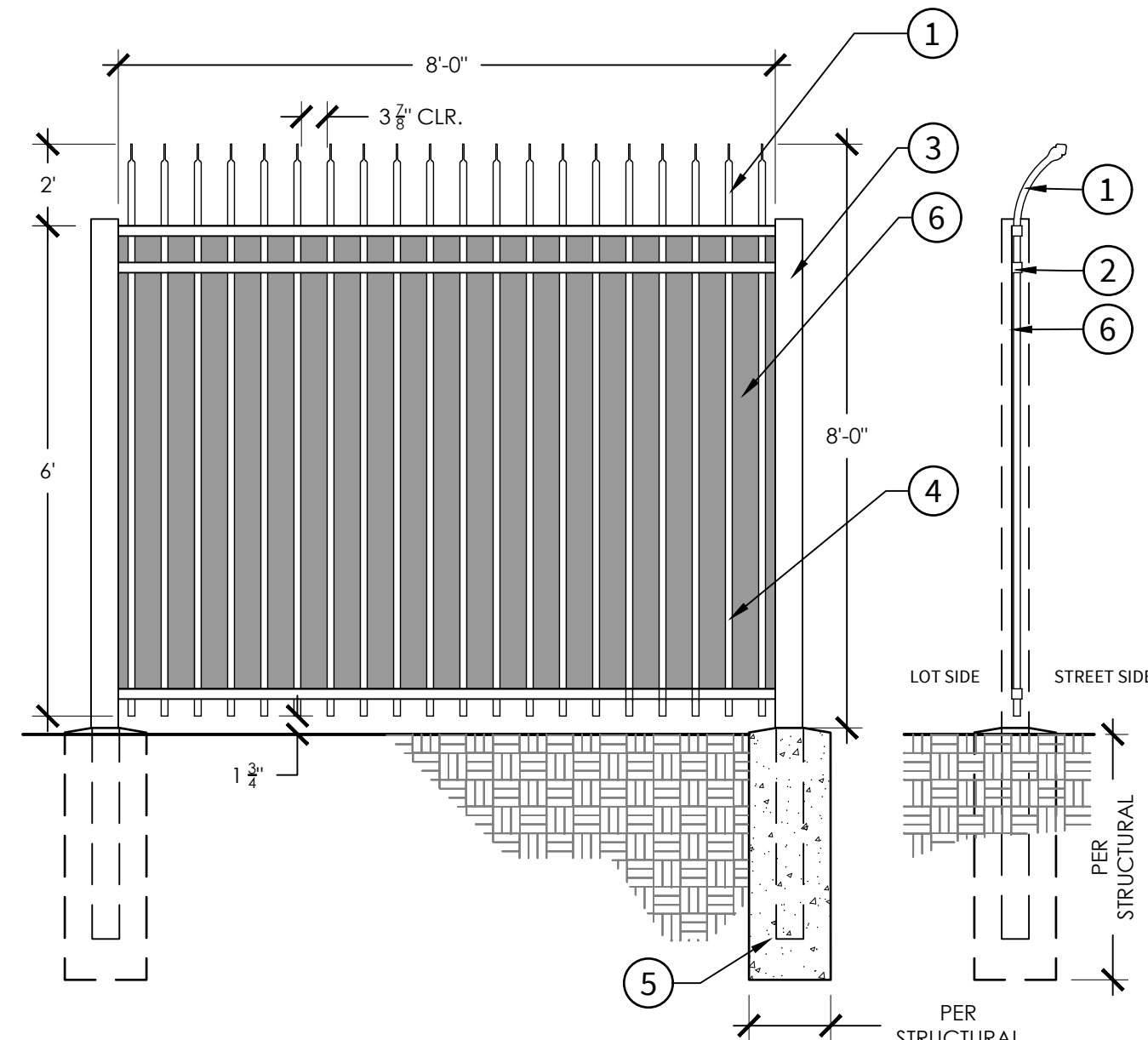
2140 PROFESSIONAL DRIVE, SUITE 115 ROSEVILLE, CA 95661
(916) 783-5263 info@fllandgroup.com



- ① ALUMIGUARD OR EQ. 96 1/2" PANEL SECURITY 3-CH 84" INDUSTRIAL.
- ② 4" SQ. POST - 11 Ga. WITH CAP. PLACE POSTS 8'-0" O.C. MAXIMUM.
- ③ 1" x 1" x .080" PICKET
- ④ MINIMUM 12" X 24" CONCRETE FOOTING, TYP.
- ⑤ 6"X8"X16" CMU, SPLIT FACE, D 225 COLOR WITH SPLIT EDGE PAVER CAP TO MATCH.
- ⑥ FINISH GRADE.
- ⑦ SOLID METAL SCREENING PANEL TO 6'-0".

FINISH: PAINT ALL METAL WITH TWO COATS SHOP PRIMER AND ONE COAT ENAMEL PAINT. COLOR WHITE

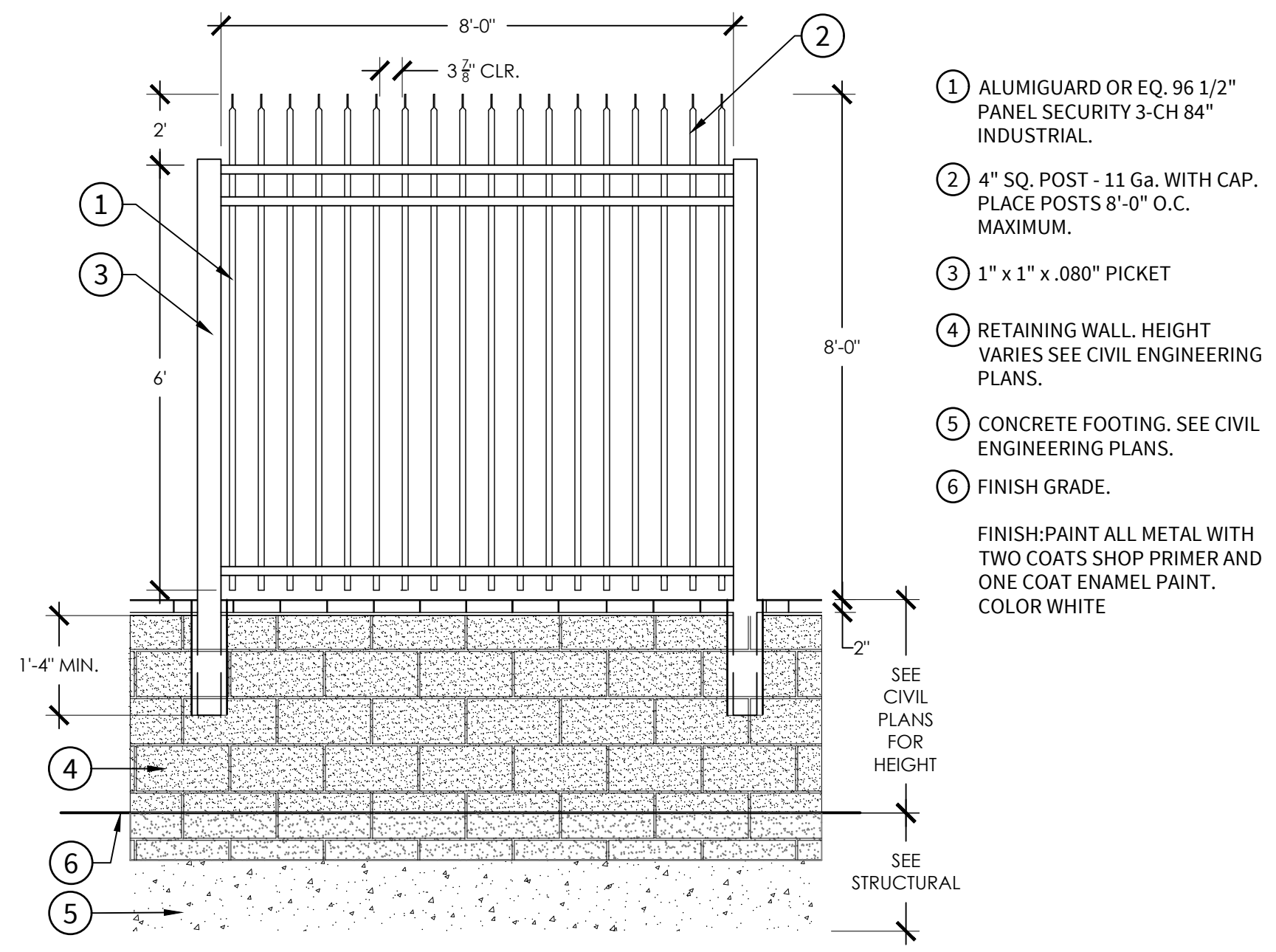
G RETAINING WALL W/ METAL SECURITY FENCE & SOLID METAL SCREEN
1/2" = 1'-0" C-21008-75



- ① ALUMIGUARD OR EQ. 96 1/2" PANEL SECURITY 3-CH 84" INDUSTRIAL.
- ② 1.5" x 1.5" CHANNEL .070" TOP WALL .100" SIDEWALL
- ③ 4" SQ. POST - 11 Ga. WITH CAP. PLACE POSTS 8'-0" O.C. MAXIMUM.
- ④ 1" x 1" x .080" PICKET
- ⑤ MIN. 12" X 36" CONCRETE FOOTING, TYP. SLOPE TOP AWAY FROM POST TO PREVENT STANDING WATER. SIZE PER STRUCTURAL ENG.
- ⑥ SOLID METAL SCREENING PANEL TO 6'-0".

FINISH: PAINT ALL METAL WITH TWO COATS SHOP PRIMER AND ONE COAT ENAMEL PAINT BLACK.

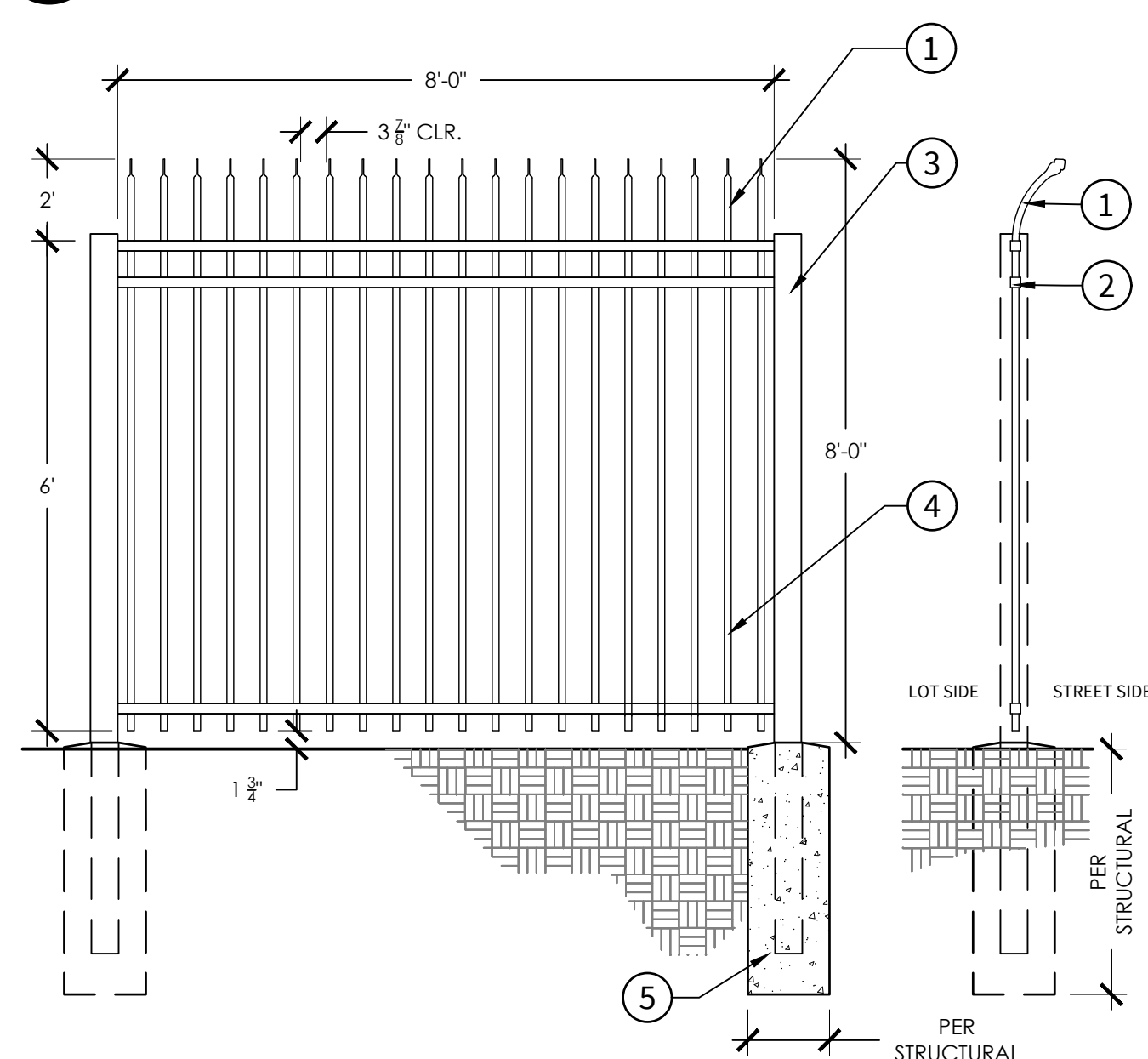
F METAL SECURITY FENCE WITH SOLID METAL SCREEN
1/2" = 1'-0" C-21008-74



- ① ALUMIGUARD OR EQ. 96 1/2" PANEL SECURITY 3-CH 84" INDUSTRIAL.
- ② 4" SQ. POST - 11 Ga. WITH CAP. PLACE POSTS 8'-0" O.C. MAXIMUM.
- ③ 1" x 1" x .080" PICKET
- ④ RETAINING WALL HEIGHT VARIES SEE CIVIL ENGINEERING PLANS.
- ⑤ CONCRETE FOOTING. SEE CIVIL ENGINEERING PLANS.
- ⑥ FINISH GRADE.

FINISH: PAINT ALL METAL WITH TWO COATS SHOP PRIMER AND ONE COAT ENAMEL PAINT. COLOR WHITE

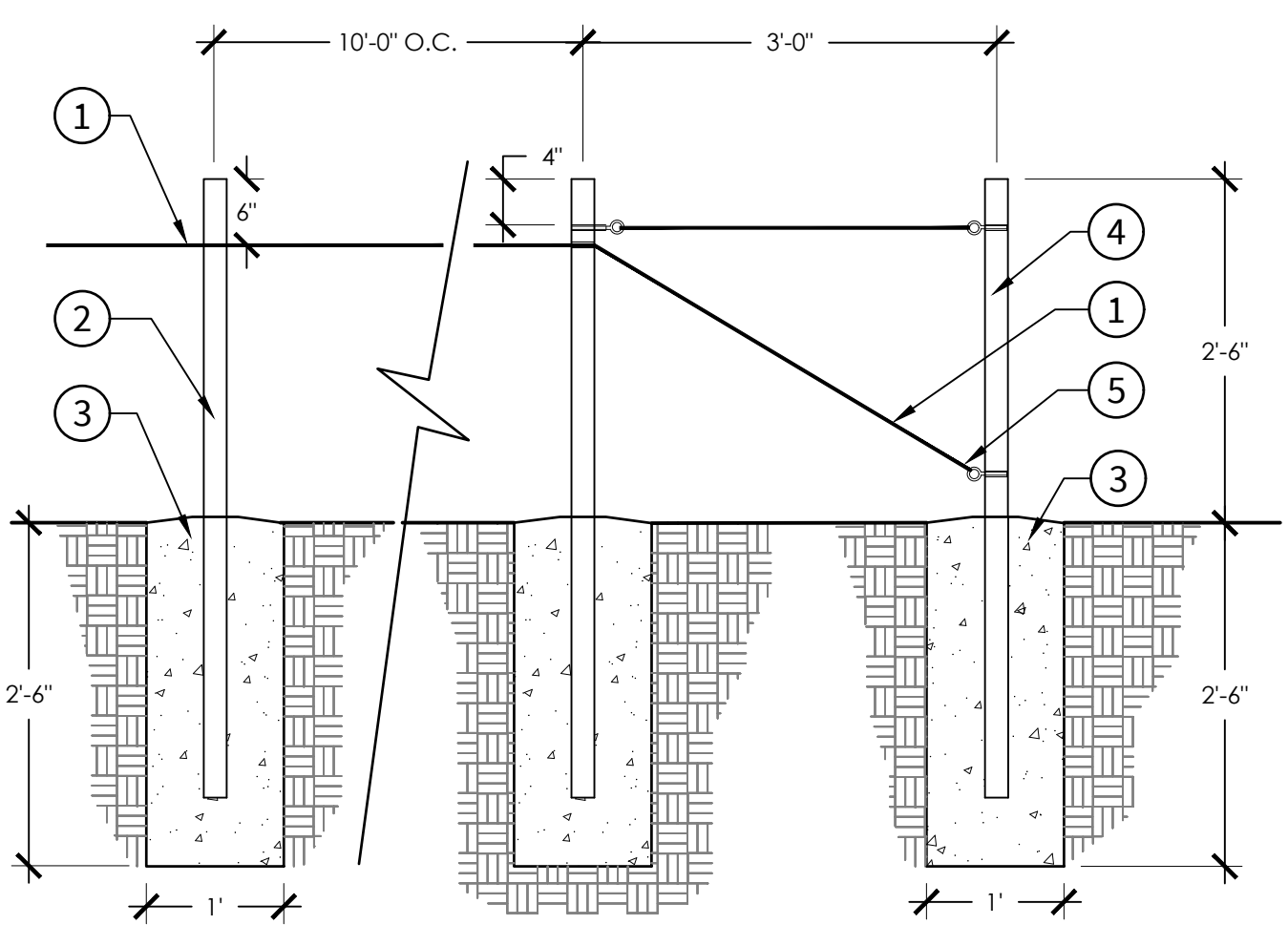
E RETAINING WALL W/ METAL SECURITY FENCE
1/2" = 1'-0" C-21008-01



- ① ALUMIGUARD OR EQ. 96 1/2" PANEL SECURITY 3-CH 84" INDUSTRIAL.
- ② 1.5" x 1.5" CHANNEL .070" TOP WALL .100" SIDEWALL
- ③ 4" SQ. POST - 11 Ga. WITH CAP. PLACE POSTS 8'-0" O.C. MAXIMUM.
- ④ 1" x 1" x .080" PICKET
- ⑤ MIN. 12" X 36" CONCRETE FOOTING, TYP. SLOPE TOP AWAY FROM POST TO PREVENT STANDING WATER. SIZE PER STRUCTURAL ENG.

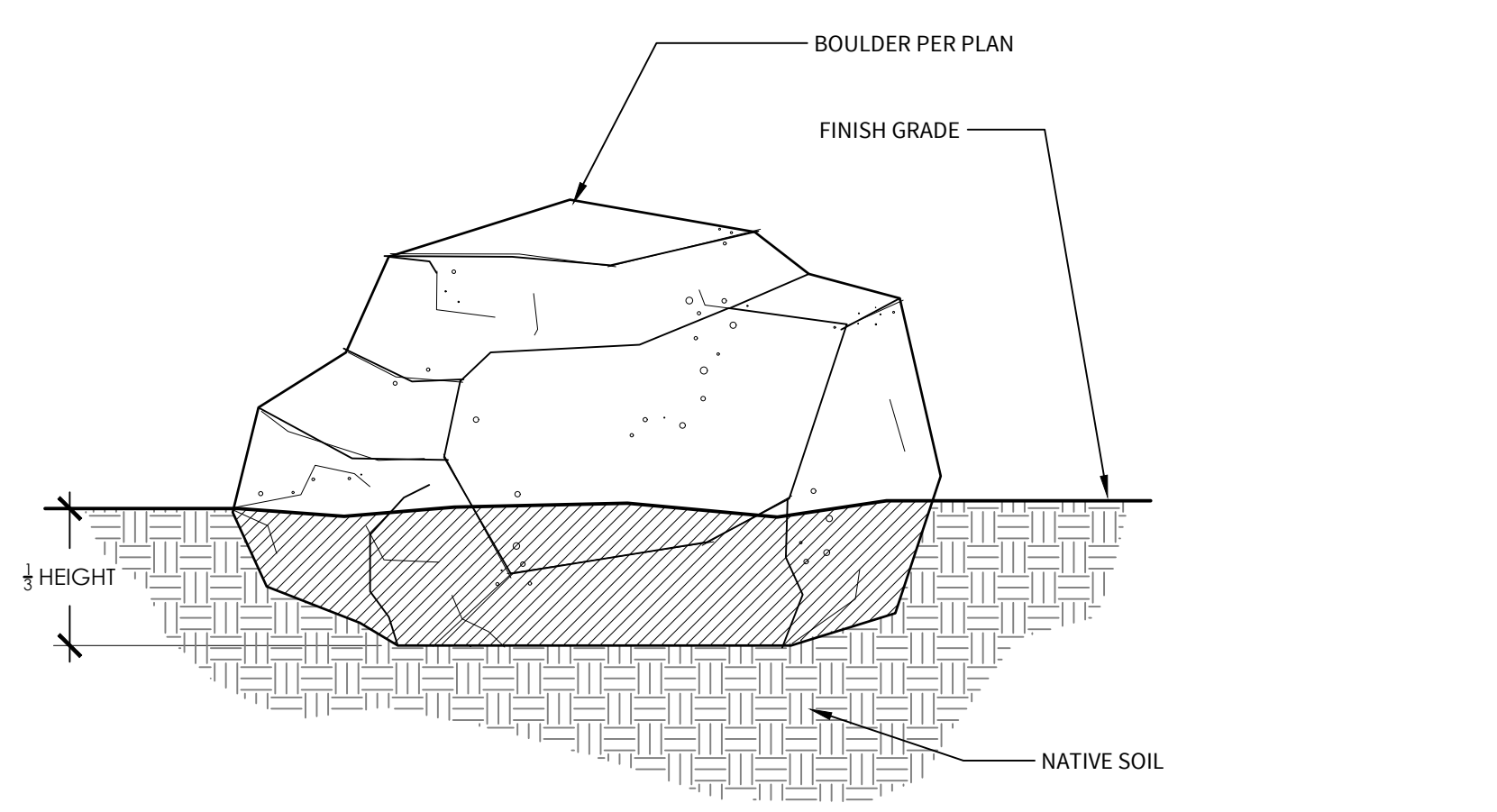
FINISH: PAINT ALL METAL WITH TWO COATS SHOP PRIMER AND ONE COAT ENAMEL PAINT BLACK.

D METAL SECURITY FENCE
1/2" = 1'-0" C-21008-25



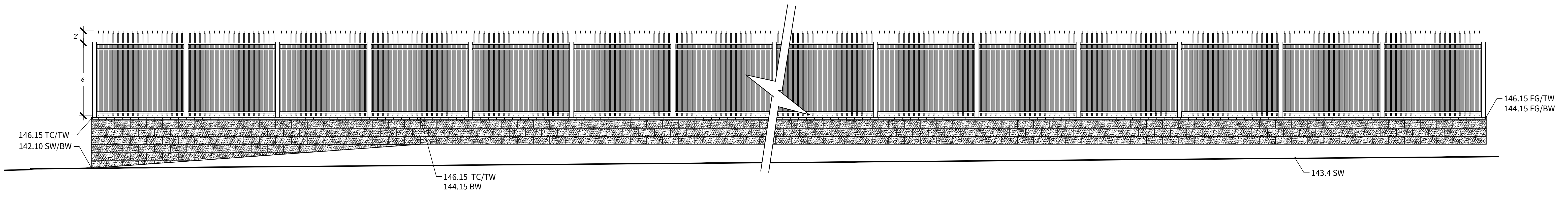
- ① 3/8" DIA. 7 STRAND GALV. CABLE, TYP. SLIP THROUGH 1/2" DIA. HOLE IN LINE POSTS OR CONNECT TO EYE BOLTS.
- ② LINE POST - 2" DIA. SCH 40 STEEL POST. GALV.
- ③ CONCRETE FOOTING AT ALL POSTS.
- ④ TERMINAL POST - 2" DIA. SCH 40 STEEL POST. GALV.
- ⑤ 3/8" GALV. EYE BOLT WITH GALV. CLAMPS FOR SPLICES AND CONNECTIONS.

C POST & CABLE FENCE (METAL POSTS)
3/4" = 1'-0" C-21008-73



- NOTES:
- 1. BOULDERS SHALL BE BURIED TO A DEPTH OF APPROX. 1/4' INTO EXISTING GROUND.
 - 2. BOULDERS TO BE CLEAN OF SOIL AND DEBRIS.
 - 3. SEE PLANS FOR BOULDER SIZE, TYPE AND LOCATIONS.
 - 4. FINAL LOCATIONS AND PLACEMENT TBD IN-FIELD BY LANDSCAPE ARCHITECT.

B BOULDER DETAIL
1/2" = 1'-0" C-21008-23



A GALILEE FENCING ELEVATION
1/4" = 1'-0"